

# S272 / S272+



## Materials

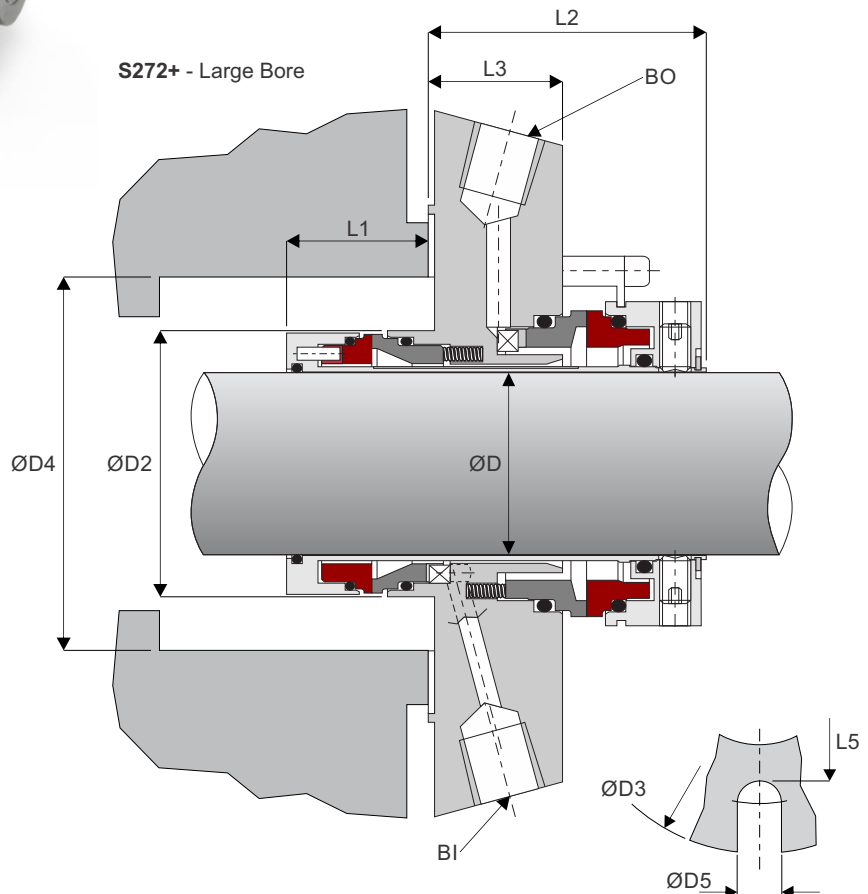
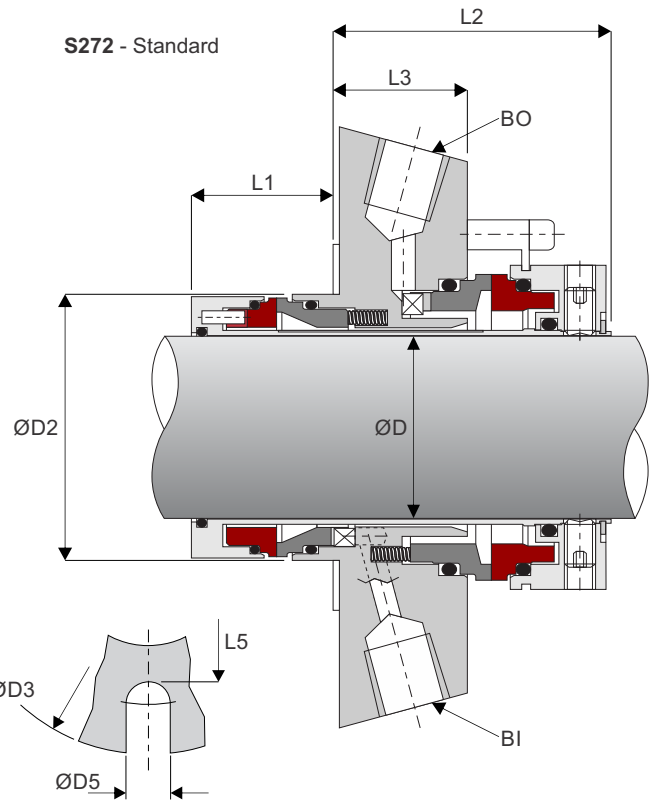
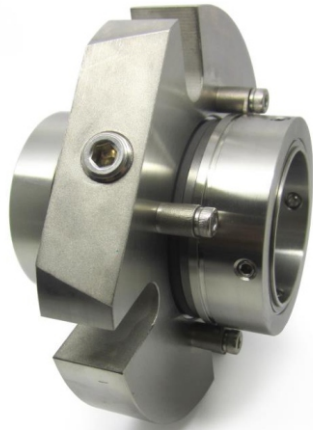
- Stationary - Car, SiC, SSiC, TC
- Rotary - SiC, SSiC, TC
- Elastomer - NBR, EPDM, Viton, Aflas, FFKM

## Working Conditions

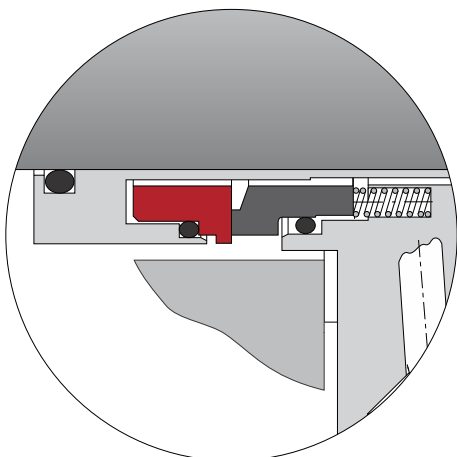
- Pressure < 28 bar
- Speed < 35 m/s
- Temperature up to 205°C (Elastomer Dependant)

## Features

- Stationary Design
- Monolithic Faces
- Cushioned Faces
- Springs outside the media
- Double Pressure Balanced
- Full pressure reversal
- Manual venting
- Bi-Directional Pumping Device
- Barrier fluid guide shroud
- Tandem Active

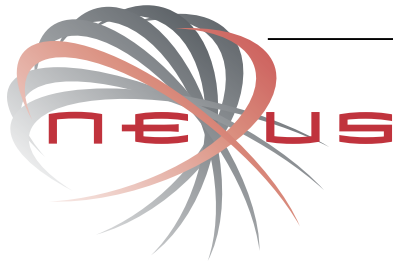


S2725 - Seal Alternative



Seal keeps operating with loss of barrier fluid pressure in low SG applications

# S272 / S272+



## S272

Inch ØD	Code	ØD2		ØD3		ØD5		L1		L2		L3		L5	
		inch	mm	inch	mm	inch	mm	inch	mm	inch	mm	inch	mm	inch	mm
1.000	0254	1.625	(41.27)	4.094	(104)	0.492	(12.5)	1.575	(40)	2.126	(54)	0.945	(24)	2.441	(62)
1.125	0286	1.750	(44.45)	4.094	(104)	0.492	(12.5)	1.575	(40)	2.126	(54)	0.945	(24)	2.441	(62)
1.250	0317	1.875	(47.62)	4.094	(104)	0.492	(12.5)	1.575	(40)	2.126	(54)	0.945	(24)	2.559	(65)
1.375	0349	2.000	(50.80)	4.331	(110)	0.492	(12.5)	1.575	(40)	2.126	(54)	0.945	(24)	2.638	(67)
1.500	0381	2.248	(57.10)	4.921	(125)	0.492	(12.5)	1.575	(40)	2.126	(54)	0.945	(24)	2.756	(70)
1.625	0412	2.374	(60.30)	5.236	(133)	0.579	(14.7)	1.575	(40)	2.126	(54)	0.945	(24)	2.953	(75)
1.750	0444	2.500	(63.50)	5.512	(140)	0.579	(14.7)	1.575	(40)	2.126	(54)	0.945	(24)	3.150	(80)
1.875	0476	2.622	(66.60)	5.512	(140)	0.579	(14.7)	1.575	(40)	2.126	(54)	0.945	(24)	3.189	(81)
2.000	0508	2.744	(69.70)	5.512	(140)	0.579	(14.7)	1.575	(40)	2.126	(54)	0.945	(24)	3.425	(87)
2.125	0539	2.862	(72.70)	5.906	(150)	0.689	(17.5)	1.575	(40)	2.126	(54)	0.945	(24)	3.543	(90)
2.250	0571	3.020	(76.70)	6.299	(160)	0.689	(17.5)	1.575	(40)	2.126	(54)	0.945	(24)	3.740	(95)
2.375	0603	3.138	(79.70)	6.299	(160)	0.689	(17.5)	1.575	(40)	2.126	(54)	0.945	(24)	3.937	(100)
2.500	0635	3.256	(82.70)	6.693	(170)	0.689	(17.5)	1.575	(40)	2.126	(54)	0.945	(24)	4.055	(103)
2.625	0666	3.413	(86.70)	7.087	(180)	0.689	(17.5)	1.575	(40)	2.126	(54)	0.945	(24)	4.331	(110)
2.750	0698	3.531	(89.70)	7.087	(180)	0.689	(17.5)	1.575	(40)	2.126	(54)	0.945	(24)	4.724	(120)
2.875	0730	3.969	(100.80)	7.480	(190)	0.689	(17.5)	1.732	(44)	2.126	(54)	0.945	(24)	4.843	(123)
3.000	0762	4.047	(102.80)	7.480	(190)	0.689	(17.5)	1.732	(44)	2.283	(58)	0.984	(25)	4.921	(125)
3.125	0793	4.244	(107.80)	7.480	(190)	0.689	(17.5)	1.732	(44)	2.283	(58)	0.984	(25)	5.118	(130)
3.250	0825	4.362	(110.80)	8.661	(220)	0.846	(21.5)	1.732	(44)	2.283	(58)	0.984	(25)	5.236	(133)
3.375	0857	4.441	(112.80)	8.661	(220)	0.846	(21.5)	1.732	(44)	2.283	(58)	0.984	(25)	5.315	(135)
3.500	0889	4.638	(117.80)	8.661	(220)	0.846	(21.5)	1.732	(44)	2.283	(58)	0.984	(25)	5.512	(140)
3.625	0921	4.717	(119.80)	8.661	(220)	0.846	(21.5)	1.732	(44)	2.283	(58)	0.984	(25)	5.591	(142)
3.750	0952	4.835	(122.80)	8.661	(220)	0.846	(21.5)	1.732	(44)	2.283	(58)	0.984	(25)	5.709	(145)
3.875	0984														
4.000	1016	5.031	(127.80)	8.661	(220)	0.846	(21.5)	1.732	(44)	2.283	(58)	0.984	(25)	5.906	(150)

## S272+

Inch ØD	Code	ØD2		ØD3		ØD4 Min		ØD4 Max		ØD5		L1		L2		L3		L5	
		inch	mm	inch	mm	inch	mm	inch	mm	inch	mm	inch	mm	inch	mm	inch	mm	inch	mm
1.125	0286	1.750	(44.45)	4.961	(126)	2.625	(66.68)	2.850	(72.39)	0.492	(12.5)	1.575	(40)	1.189	(30.2)	0.945	(24)	3.150	(80)
1.375	0349	2.000	(50.80)	5.315	(135)	2.875	(73.03)	3.100	(78.74)	0.492	(12.5)	1.575	(40)	1.189	(30.2)	0.945	(24)	3.386	(86)
1.750	0444	2.500	(63.50)	6.496	(165)	3.500	(88.90)	4.100	(104.14)	0.579	(14.7)	1.575	(40)	1.378	(35.0)	0.945	(24)	4.409	(112)
1.875	0476	2.622	(66.60)	6.496	(165)	3.625	(92.08)	4.100	(104.14)	0.579	(14.7)	1.575	(40)	1.378	(35.0)	0.945	(24)	4.409	(112)
2.125	0539	2.862	(72.70)	7.165	(182)	3.875	(98.43)	4.225	(107.32)	0.689	(17.5)	1.575	(40)	1.378	(35.0)	0.945	(24)	4.646	(118)
2.500	0635	3.256	(82.70)	7.992	(203)	4.500	(114.30)	5.100	(129.54)	0.689	(17.5)	1.575	(40)	1.378	(35.0)	0.945	(24)	5.394	(137)
2.625	0666	3.413	(86.70)	7.992	(203)	4.625	(117.48)	5.100	(129.54)	0.689	(17.5)	1.575	(40)	1.378	(35.0)	0.945	(24)	5.394	(137)
2.750	0698	3.531	(89.70)	7.992	(203)	4.625	(117.48)	5.100	(129.54)	0.689	(17.5)	1.575	(40)	1.378	(35.0)	0.945	(24)	5.394	(137)