

# S186



### Materials

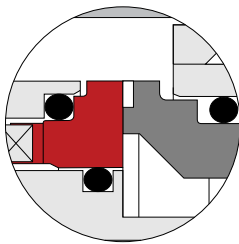
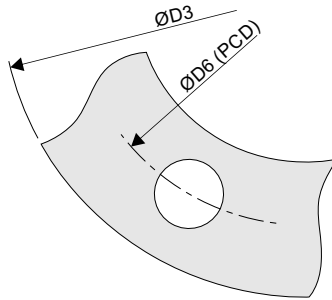
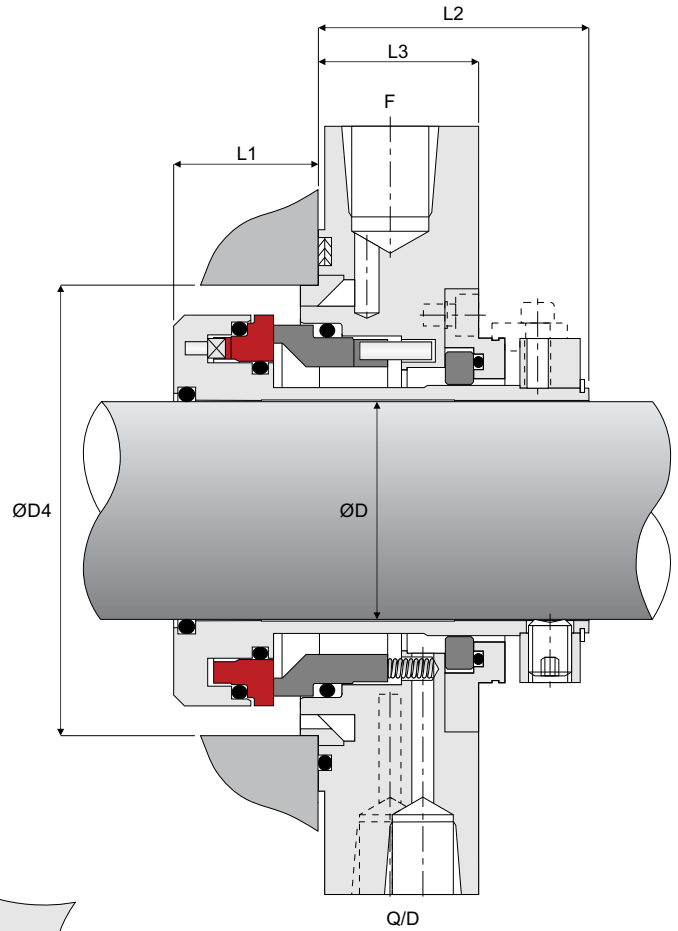
- Stationary - Car, SiC, SSiC, TC
- Rotary - SiC, SSiC, TC
- Elastomer - NBR, EPDM, Viton, Aflas, FFKM

### Working Conditions

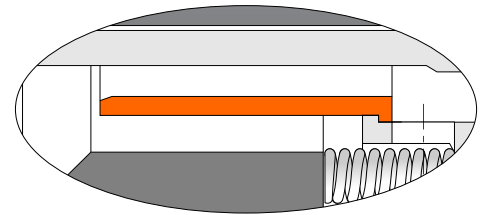
- Pressure < 40 bar
- Speed < 25 m/s
- Temperature up to 205°C

### Features

- Stationary Design API682
- Monolithic Faces
- Cushioned Faces
- Pressure Balanced
- Springs outside the media
- Floating Quench
- Multi-Flush Port
- Optional Hydro Pads
- Optional Steam Quench Guide



Optional Hydro Pad



Optional Steam Quench Guide

Seal Size	Shaft ØD MAX		ØD3		ØD4		STUD SIZE		ØD6 PCD		L1		L2		L3	
	mm	inch	mm	inch	mm	inch	mm	inch	mm	inch	mm	inch	mm	inch	mm	inch
1	20	(0.787)	135	(5.315)	70	(2.756)	M12x1.75	1/2"-13	105	(4.134)	33	(1.299)	60	(2.362)	36.5	(1.437)
2	30	(1.181)	145	(5.709)	80	(3.150)	M12x1.75	1/2"-13	115	(4.528)	33	(1.299)	60	(2.362)	36.5	(1.437)
3	40	(1.575)	155	(6.102)	90	(3.543)	M12x1.75	1/2"-13	125	(4.921)	33	(1.299)	60	(2.362)	36.5	(1.437)
4	50	(1.969)	175	(6.890)	100	(3.937)	M16x2.0	5/8"-11	140	(5.512)	33	(1.299)	60	(2.362)	36.5	(1.437)
5	60	(2.362)	195	(7.677)	120	(4.724)	M16x2.0	5/8"-11	160	(6.299)	33	(1.299)	60	(2.362)	36.5	(1.437)
6	70	(2.756)	205	(8.071)	130	(5.118)	M16x2.0	5/8"-11	170	(6.693)	33	(1.299)	60	(2.362)	36.5	(1.437)
7	80	(3.150)	215	(8.465)	104	(4.094)	M16x2.0	5/8"-11	180	(7.087)	33	(1.299)	60	(2.362)	36.5	(1.437)
8	90	(3.543)	290	(11.417)	160	(6.299)	M20x2.5	3/4"-10	205	(8.071)	33	(1.299)	60	(2.362)	36.5	(1.437)
9	100	(3.937)	300	(11.811)	170	(6.693)	M20x2.5	3/4"-10	215	(8.465)	33	(1.299)	60	(2.362)	36.5	(1.437)
10	110	(4.331)	310	(12.205)	180	(7.087)	M20x2.5	3/4"-10	225	(8.858)	33	(1.299)	60	(2.362)	36.5	(1.437)