

SUTEX



Materials

Stationary - Car , SiC , SSiC , TC

Rotary - SiC , SSiC , TC

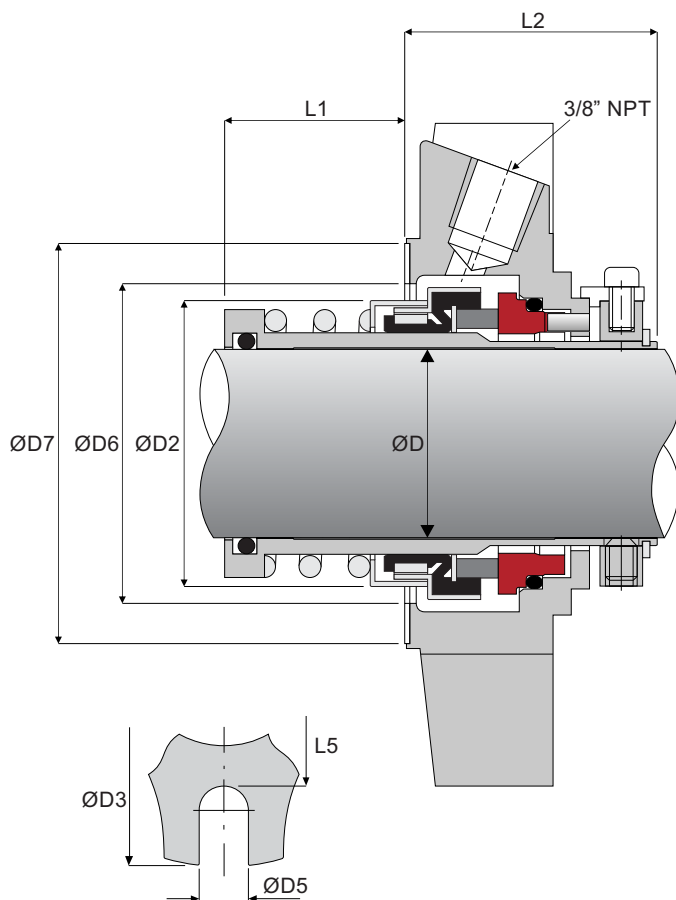
Elastomer - EPDM, Viton

Working Conditions

Pressure ≤ 12 bar

Speed ≤ 13 m/s

Temperature up to 150°C



Features

Cushioned faces

Non-pusher design

+/-1.5mm Axial Movement

Inches ØD	Metric ØD	ØD2	ØD3	ØD5	ØD6	ØD7	L1	L2	L5
1.000	25	38.4	105	12.5	41.5	60	65.5	48.0	62
1.125	28	42.4	105	12.5	44.5	60	68.0	48.0	62
-	30	42.4	105	12.5	45.5	63	68.0	48.0	65
1.250	33	45.0	105	12.5	48.0	65	69.5	48.0	67
1.375	35	49.1	115	12.5	50.8	68	72.5	48.0	70
1.500	38	51.3	125	14.7	54.5	73	72.5	48.0	75
-	40	54.3	125	14.7	57.5	75	75.5	48.0	75
-	43	56.3	133	14.7	59.5	78	76.5	48.0	80
1.750	45	59.8	140	14.7	63.0	79	76.5	48.0	81
1.875	48	61.8	140	14.7	65.0	82	78.0	48.0	84
2.000	50	64.8	140	14.7	68.0	85	80.5	48.0	86
2.125	53	66.8	150	17.5	70.0	95	81.5	48.0	92
-	55	71.0	150	17.5	73.0	90	83.5	48.0	92
2.375	60	76.5	160	17.5	79.0	100	85.5	48.0	100
-	65	83.0	165	17.5	85.7	108	88.0	48.0	109