

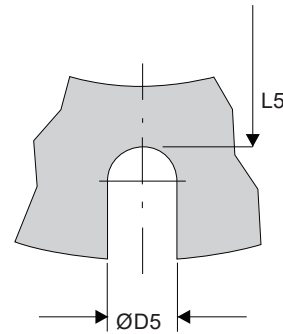
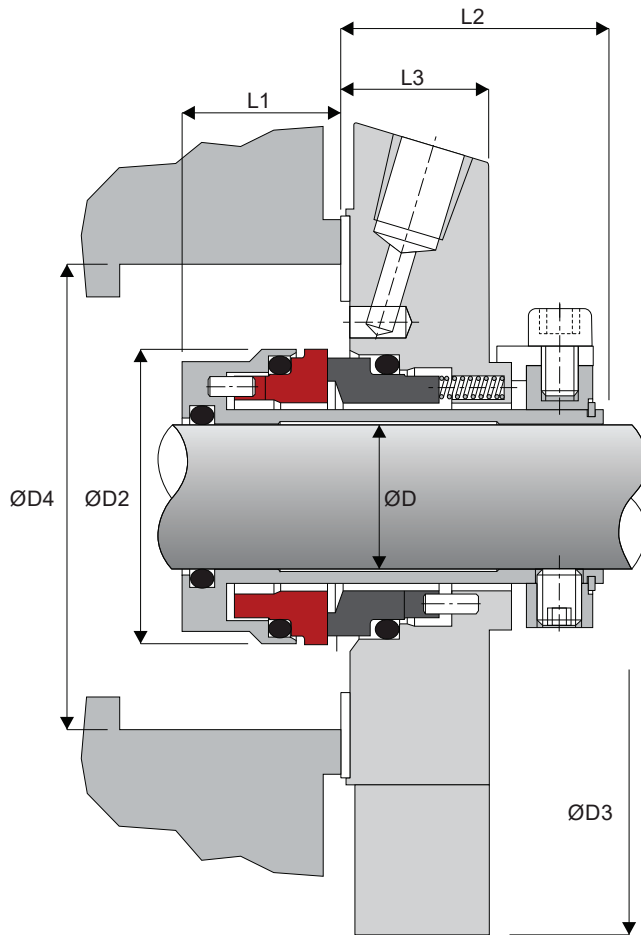
# S145+ ANSI LARGE BORE

## Materials

- Stationary - Car / SiC / SSiC / TC
- Rotary - SiC / SSiC / TC
- Elastomer - NBR / EPDM / Viton / Aflas / FFKM

## Working Conditions

- Pressure < 28 bar
- Speed < 25 m/s
- Temperature up to 205°C



Inches ØD	Metric ØD	ØD2	ØD3	ØD4 Min	ØD4 Max	ØD5	L1	L2	L3	L5
1.125"	28	46.50	126	66.68	72.39	14	19.0	38	21.5	80
1.375"	35	53.50	135	73.03	78.74	14	19.0	38	21.5	86
1.750"	45	63.50	165	88.90	104.14	14	19.0	38	21.5	112
1.875"	48	66.50	165	92.08	104.14	14	19.0	38	21.5	112
2.125"	53	71.50	182	98.43	107.32	17	19.0	38	21.5	118
2.500"	-	81.50	203	114.30	129.54	17	19.0	38	21.5	137
2.625"	-	86.51	203	117.48	129.54	17	19.0	38	21.5	137
2.750"	70	88.50	203	117.48	129.54	17	19.0	38	21.5	137