

S175 / S175Q / S175+



IMPERIAL

Materials

Stationary - Car / SiC / SiSiC / TC

Rotary - SiC / SiSiC / TC

Elastomer - NBR / EPDM / Viton / Aflas / FFKM

Working Conditions

Pressure < 28 bar

Speed < 25 m/s

Temperature up to 205°C

Features

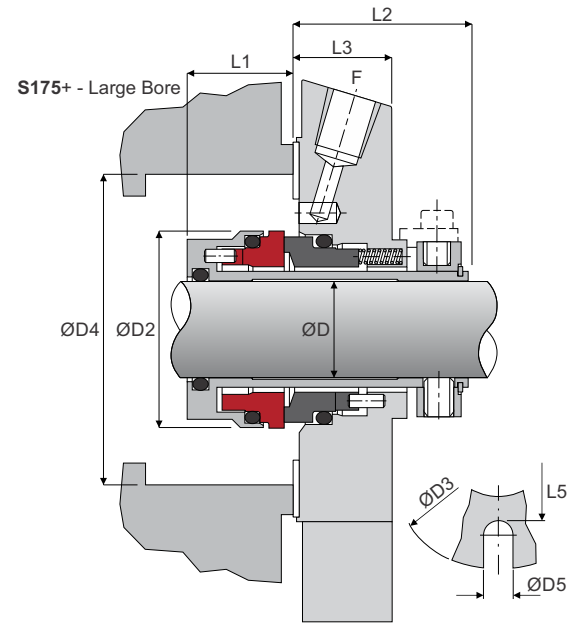
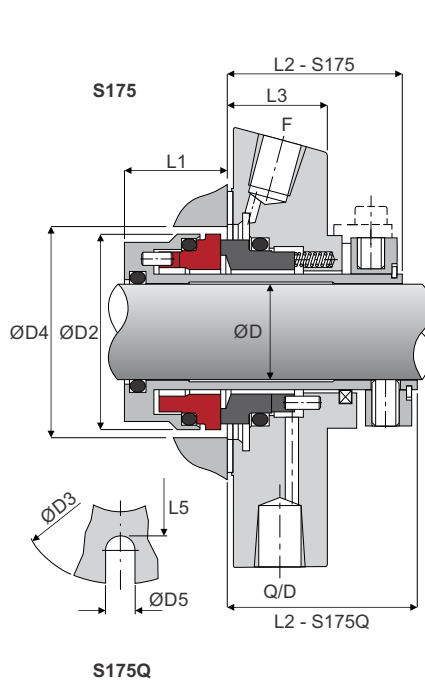
Stationary Design

Monolithic Faces

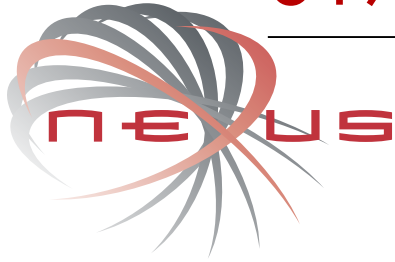
Cushioned Faces

Pressure Balanced

Springs outside the media



Inch ØD	Code	ØD2		ØD3		ØD4 Min		ØD4 Max		ØD5		L1		L2		L2 - Quench		L3		L5	
		mm	inch	mm	inch	mm	inch	mm	inch	mm	inch	mm	inch	mm	inch	mm	inch	mm	inch	mm	inch
1.000	0254	39.9	(1.571)	104	(4.094)	41.1	(1.618)	54.5	(2.146)	12.5	(0.492)	19	(0.748)	38	(1.496)	44	(1.732)	21.5	(0.846)	62	(2.441)
1.125	0286	43.1	(1.697)	104	(4.094)	44.3	(1.744)	54.5	(2.146)	12.5	(0.492)	19	(0.748)	38	(1.496)	44	(1.732)	21.5	(0.846)	62	(2.441)
1.125 +	0286 +	43.1	(1.697)	126	(4.975)	66.7	(2.625)	72.4	(2.850)	14.0	(0.551)	19	(0.748)	38	(1.496)	44	(1.732)	21.5	(0.846)	80	(3.150)
1.250	0317	46.3	(1.823)	104	(4.094)	47.5	(1.870)	54.5	(2.146)	12.5	(0.492)	19	(0.748)	38	(1.496)	44	(1.732)	21.5	(0.846)	62	(2.441)
1.375	0349	49.5	(1.949)	104	(4.094)	50.7	(1.996)	59.5	(2.343)	12.5	(0.492)	19	(0.748)	38	(1.496)	44	(1.732)	21.5	(0.846)	67	(2.638)
1.375 +	0349 +	49.5	(1.949)	135	(5.328)	73.0	(2.875)	78.7	(3.100)	14.0	(0.551)	19	(0.748)	38	(1.496)	44	(1.732)	21.5	(0.846)	86	(3.386)
1.500	0381	55.3	(2.177)	110	(4.331)	56.5	(2.224)	62.5	(2.461)	14.7	(0.579)	19	(0.748)	38	(1.496)	44	(1.732)	21.5	(0.846)	70	(2.756)
1.625	0412	58.3	(2.295)	125	(4.921)	59.5	(2.343)	67.5	(2.657)	14.7	(0.579)	19	(0.748)	38	(1.496)	44	(1.732)	21.5	(0.846)	75	(2.953)
1.750	0444	62.3	(2.453)	125	(4.921)	63.5	(2.500)	72.5	(2.854)	14.7	(0.579)	19	(0.748)	38	(1.496)	44	(1.732)	21.5	(0.846)	80	(3.150)
1.750 +	0444 +	62.3	(2.453)	165	(6.500)	88.9	(3.500)	104.1	(4.100)	14.0	(0.551)	19	(0.748)	38	(1.496)	44	(1.732)	21.5	(0.846)	112	(4.409)
1.875	0476	65.3	(2.571)	140	(5.512)	66.5	(2.618)	73.5	(2.894)	14.7	(0.579)	19	(0.748)	38	(1.496)	44	(1.732)	21.5	(0.846)	81	(3.189)
1.875 +	0476 +	65.3	(2.571)	165	(6.500)	92.1	(3.625)	104.1	(4.100)	14.0	(0.551)	19	(0.748)	38	(1.496)	44	(1.732)	21.5	(0.846)	112	(4.409)
2.000	0508	68.5	(2.697)	140	(5.512)	69.7	(2.744)	76.5	(3.012)	14.7	(0.579)	19	(0.748)	38	(1.496)	44	(1.732)	21.5	(0.846)	84	(3.307)
2.125	0539	71.5	(2.815)	140	(5.512)	72.7	(2.862)	79.5	(3.130)	17.5	(0.689)	19	(0.748)	38	(1.496)	44	(1.732)	21.5	(0.846)	87	(3.425)
2.125 +	0539 +	71.5	(2.815)	182	(7.156)	98.4	(3.875)	107.3	(4.225)	17.0	(0.669)	19	(0.748)	38	(1.496)	44	(1.732)	21.5	(0.846)	118	(4.646)
2.250	0572	76.5	(3.012)	160	(6.299)	77.7	(3.059)	87.5	(3.445)	17.5	(0.689)	19	(0.748)	38	(1.496)	44	(1.732)	21.5	(0.846)	95	(3.740)
2.375	0603	78.5	(3.091)	160	(6.299)	79.7	(3.138)	92.5	(3.642)	17.5	(0.689)	19	(0.748)	38	(1.496)	44	(1.732)	21.5	(0.846)	100	(3.937)
2.500	0635	81.5	(3.209)	170	(6.693)	82.7	(3.256)	95.5	(3.760)	17.5	(0.689)	19	(0.748)	38	(1.496)	44	(1.732)	21.5	(0.846)	103	(4.055)
2.500 +	0635 +	81.5	(3.209)	203	(8.000)	114.3	(4.500)	129.5	(5.100)	17.0	(0.669)	19	(0.748)	38	(1.496)	44	(1.732)	21.5	(0.846)	137	(5.394)
2.625	0666	86.5	(3.406)	180	(7.087)	87.7	(3.453)	102.5	(4.035)	17.5	(0.689)	19	(0.748)	38	(1.496)	44	(1.732)	21.5	(0.846)	110	(4.331)
2.625 +	0666 +	86.5	(3.406)	203	(8.000)	117.5	(4.625)	129.5	(5.100)	17.0	(0.669)	19	(0.748)	38	(1.496)	44	(1.732)	21.5	(0.846)	137	(5.394)
2.750	0698	88.5	(3.484)	180	(7.087)	89.7	(3.531)	112.5	(4.429)	17.5	(0.689)	19	(0.748)	38	(1.496)	44	(1.732)	21.5	(0.846)	120	(4.724)
2.750 +	0698 +	88.5	(3.484)	203	(8.000)	117.5	(4.625)	129.5	(5.100)	17.0	(0.669)	19	(0.748)	38	(1.496)	44	(1.732)	21.5	(0.846)	137	(5.394)
2.875	0730	98.0	(3.858)	190	(7.480)	99.2	(3.906)	115.5	(4.547)	17.5	(0.689)	20.5	(0.807)	41.5	(1.634)	48	(1.870)	24.0	(0.945)	123	(4.843)
3.000	0762	100.0	(3.937)	190	(7.480)	101.2	(3.984)	117.5	(4.626)	17.5	(0.689)	20.5	(0.807)	41.5	(1.634)	48	(1.870)	24.0	(0.945)	125	(4.921)
3.125	0794	105.0	(4.134)	190	(7.480)	106.2	(4.181)	126.5	(4.980)	17.5	(0.689)	20.5	(0.807)	41.5	(1.634)	48	(1.870)	24.0	(0.945)	130	(5.118)
3.250	0826	108.0	(4.252)	220	(8.661)	109.2	(4.299)	125.5	(4.941)	17.5	(0.689)	20.5	(0.807)	41.5	(1.634)	48	(1.870)	24.0	(0.945)	133	(5.236)
3.375	0857	110.0	(4.331)	220	(8.661)	111.2	(4.378)	127.5	(5.020)	21.5	(0.846)	20.5	(0.807)	41.5	(1.634)	48	(1.870)	24.0	(0.945)	135	(5.315)
3.500	0889	115.0	(4.528)	220	(8.661)	116.2	(4.575)	132.5	(5.217)	21.5	(0.846)	20.5	(0.807)	41.5	(1.634)	48	(1.870)	24.0	(0.945)	140	(5.512)
3.625	0921	117.0	(4.606)	220	(8.661)	118.2	(4.654)	134.5	(5.295)	21.5	(0.846)	20.5	(0.807)	41.5	(1.634)	48	(1.870)	24.0	(0.945)	142	(5.591)
3.750	0953	120.0	(4.724)	220	(8.661)	121.2	(4.772)	137.5	(5.413)	21.5	(0.846)	20.5	(0.807)	41.5	(1.634)	48	(1.870)	24.0	(0.945)	145	(5.709)
3.875	0984	125.0	(4.921)	220	(8.661)	126.2	(4.969)	137.5	(5.413)	21.5	(0.846)	20.5	(0.807)	41.5	(1.634)	48	(1.870)	24.0	(0.945)	145	(5.709)
4.000	1016	125.0	(4.921)	220	(8.661)	126.2	(4.969)	142.5	(5.610)	21.5	(0.846)	20.5	(0.807)	41.5	(1.634)	48	(1.870)	24.0	(0.945)	150	(5.906)
4.125	1048	130.0	(5.118)	240	(9.449)	131.2	(5.165)	162.5	(6.398)	21.5	(0.846)	20.5	(0.807)	43.5	(1.713)	50	(1.949)	30.0	(1.181)	170	(6.693)
4.250	1080	135.0	(5.315)	240	(9.449)	136.2	(5.362)	162.5	(6.398)	21.5	(0.846)	20.5	(0.807)	43.5	(1.713)	50	(1.949)	30.0	(1.181)	170	(6.693)
4.375	1111	135.0	(5.315)	240	(9.449)	136.2	(5.362)	162.5	(6.398)	21.5	(0.846)	20.5	(0.807)	43.5	(1.713)	50	(1.949)	30.0	(1.181)	170	(6.693)
4.500	1143	140.0	(5.512)	250	(9.843)	141.2	(5.559)	172.5	(6.791)	21.5	(0.846)	20.5	(0.807)	43.5	(1.713)	50	(1.949)	30.0	(1.181)	180	(7.087)
4.625	1175	145.0	(5.709)	250	(9.843)	146.2	(5.756)	172.5	(6.791)	21.5	(0.846)	20.5	(0.807)	43.5	(1.713)	50	(1.949)	30.0	(1.181)	180	(7.087)
4.750	1207	145.0	(5.709)	250	(9.843)	146.2	(5.756)	172.5	(6.791)	21.5	(0.846)	20.5	(0.807)	43.5	(1.713)	50	(1.949)	30.0	(1.181)	180	(7.087)
4.875	1238	150.0	(5.906)	250	(9.843)	151.2	(5.953)	172.5	(6.791)	21.5	(0.846)	20.5	(0.807)	43.5	(1.713)	50	(1.949)	30.0	(1.181)	180	(7.087)
5.000	1270	155.0	(6.102)	260	(10.236)	156.2	(6.150)	182.5	(7.185)	21.5	(0.846)	20.5	(0.807)	43.5	(1.713)	50	(1.949)	30.0	(1.181)	190	(7.480)



S175 / S175Q / S175+

METRIC

Materials

Stationary - Car / SiC / SSiC / TC

Rotary - SiC / SSiC / TC

Elastomer - NBR / EPDM / Viton / Aflas / FFKM

Working Conditions

Pressure < 28 bar

Speed < 25 m/s

Temperature up to 205°C

Features

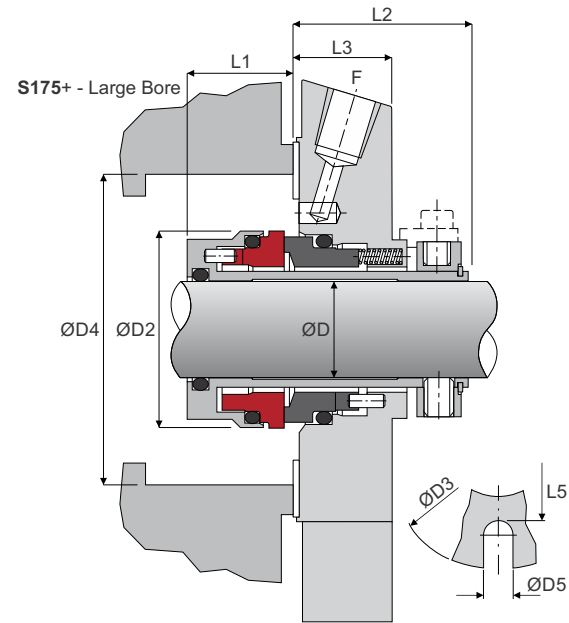
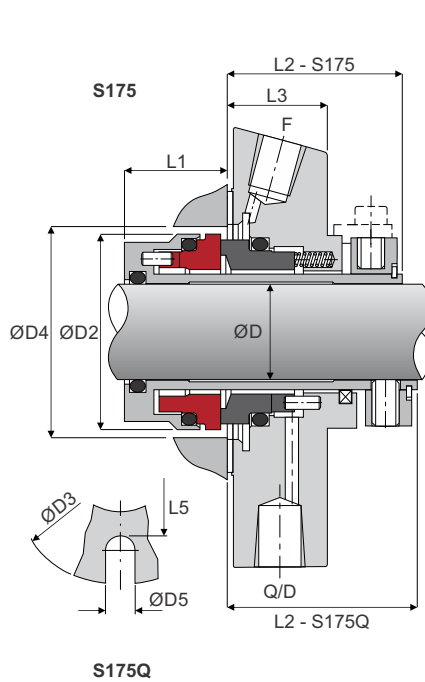
Stationary Design

Monolithic Faces

Cushioned Faces

Pressure Balanced

Springs outside the media



+ Large Bore

Inch ØD	Code	ØD2		ØD3		ØD4 Min		ØD4 Max		ØD5		L1		L2		L2 - Quench		L3		L5	
		mm	inch	mm	inch	mm	inch	mm	inch	mm	inch	mm	inch	mm	inch	mm	inch	mm	inch	mm	inch
0.945	0240	39.9	(1.571)	104	(4.094)	41.1	(1.618)	54.5	(2.146)	12.5	(0.492)	19	(0.748)	38	(1.496)	44	(1.732)	21.5	(0.846)	62	(2.441)
0.984	0250	39.9	(1.571)	104	(4.094)	41.1	(1.618)	54.5	(2.146)	12.5	(0.492)	19	(0.748)	38	(1.496)	44	(1.732)	21.5	(0.846)	62	(2.441)
1.102	0280	43.1	(1.697)	104	(4.094)	44.3	(1.744)	54.5	(2.146)	12.5	(0.492)	19	(0.748)	38	(1.496)	44	(1.732)	21.5	(0.846)	62	(2.441)
1.102 +	0280 +	43.1	(1.697)	126	(4.975)	66.7	(2.625)	72.4	(2.850)	14.0	(0.551)	19	(0.748)	38	(1.496)	44	(1.732)	21.5	(0.846)	80	(3.150)
1.181	0300	46.3	(1.823)	104	(4.094)	47.5	(1.870)	57.5	(2.264)	12.5	(0.492)	19	(0.748)	38	(1.496)	44	(1.732)	21.5	(0.846)	65	(2.559)
1.260	0320	46.3	(1.823)	104	(4.094)	47.5	(1.870)	57.5	(2.264)	12.5	(0.492)	19	(0.748)	38	(1.496)	44	(1.732)	21.5	(0.846)	65	(2.559)
1.299	0330	49.5	(1.949)	104	(4.094)	50.7	(1.996)	59.5	(2.343)	12.5	(0.492)	19	(0.748)	38	(1.496)	44	(1.732)	21.5	(0.846)	67	(2.638)
1.378	0350	49.5	(1.949)	104	(4.094)	50.7	(1.996)	59.5	(2.343)	12.5	(0.492)	19	(0.748)	38	(1.496)	44	(1.732)	21.5	(0.846)	67	(2.638)
1.378 +	0350 +	49.5	(1.949)	135	(5.328)	73.0	(2.875)	78.7	(3.100)	14.0	(0.551)	19	(0.748)	38	(1.496)	44	(1.732)	21.5	(0.846)	86	(3.386)
1.496	0380	55.3	(2.177)	110	(4.331)	56.5	(2.224)	62.5	(2.461)	14.7	(0.579)	19	(0.748)	38	(1.496)	44	(1.732)	21.5	(0.846)	70	(2.756)
1.575	0400	58.3	(2.295)	125	(4.921)	59.5	(2.343)	67.5	(2.657)	14.7	(0.579)	19	(0.748)	38	(1.496)	44	(1.732)	21.5	(0.846)	75	(2.953)
1.693	0430	62.3	(2.453)	125	(4.921)	63.5	(2.500)	72.5	(2.854)	14.7	(0.579)	19	(0.748)	38	(1.496)	44	(1.732)	21.5	(0.846)	80	(3.150)
1.772	0450	62.3	(2.453)	125	(4.921)	63.5	(2.500)	72.5	(2.854)	14.7	(0.579)	19	(0.748)	38	(1.496)	44	(1.732)	21.5	(0.846)	80	(3.150)
1.772 +	0450 +	62.3	(2.453)	165	(6.500)	88.9	(3.500)	104.1	(4.100)	14.0	(0.551)	19	(0.748)	38	(1.496)	44	(1.732)	21.5	(0.846)	112	(4.409)
1.890	0480	65.3	(2.571)	140	(5.512)	66.5	(2.618)	73.5	(2.894)	14.7	(0.579)	19	(0.748)	38	(1.496)	44	(1.732)	21.5	(0.846)	81	(3.189)
1.890 +	0480 +	65.3	(2.571)	165	(6.500)	92.1	(3.625)	104.1	(4.100)	14.0	(0.551)	19	(0.748)	38	(1.496)	44	(1.732)	21.5	(0.846)	112	(4.409)
1.969	0500	68.5	(2.697)	140	(5.512)	69.7	(2.744)	76.5	(3.012)	14.7	(0.579)	19	(0.748)	38	(1.496)	44	(1.732)	21.5	(0.846)	84	(3.307)
2.087	0530	71.5	(2.815)	140	(5.512)	72.7	(2.862)	79.5	(3.130)	17.5	(0.689)	19	(0.748)	38	(1.496)	44	(1.732)	21.5	(0.846)	87	(3.425)
2.087 +	0530 +	71.5	(2.815)	182	(7.156)	98.4	(3.875)	107.3	(4.225)	17.0	(0.669)	19	(0.748)	38	(1.496)	44	(1.732)	21.5	(0.846)	118	(4.646)
2.165	0550	73.5	(2.894)	150	(5.906)	74.7	(2.941)	84.5	(3.327)	17.5	(0.689)	19	(0.748)	38	(1.496)	44	(1.732)	21.5	(0.846)	92	(3.622)
2.362	0600	78.5	(3.091)	160	(6.299)	79.7	(3.138)	92.5	(3.642)	17.5	(0.689)	19	(0.748)	38	(1.496)	44	(1.732)	21.5	(0.846)	100	(3.937)
2.480	0630	81.5	(3.209)	165	(6.496)	82.7	(3.256)	95.5	(3.760)	17.5	(0.689)	19	(0.748)	38	(1.496)	44	(1.732)	21.5	(0.846)	103	(4.055)
2.480 +	0630 +	81.5	(3.209)	203	(7.992)	114.3	(4.500)	129.5	(5.100)	17.0	(0.669)	19	(0.748)	38	(1.496)	44	(1.732)	21.5	(0.846)	137	(5.394)
2.559	0650	83.5	(3.287)	165	(6.496)	84.7	(3.335)	97.5	(3.839)	17.5	(0.689)	19	(0.748)	38	(1.496)	44	(1.732)	21.5	(0.846)	105	(4.134)
2.559 +	0650 +	83.5	(3.287)	203	(7.992)	117.5	(4.625)	129.5	(5.100)	17.0	(0.669)	19	(0.748)	38	(1.496)	44	(1.732)	21.5	(0.846)	137	(5.394)
2.755	0700	88.5	(3.484)	180	(7.087)	89.7	(3.531)	112.5	(4.429)	17.5	(0.689)	19	(0.748)	38	(1.496)	44	(1.732)	21.5	(0.846)	120	(4.724)
2.755 +	0700 +	88.5	(3.484)	203	(8.000)	117.5	(4.625)	129.5	(5.100)	17.0	(0.669)	19	(0.748)	38	(1.496)	44	(1.732)	21.5	(0.846)	137	(5.394)
2.952	0750	100.0	(3.937)	190	(7.480)	101.2	(3.984)	117.5	(4.626)	17.5	(0.689)	20.5	(0.807)	41.5	(1.634)	48	(1.870)	24.0	(0.945)	125	(4.921)
3.149	0800	105.0	(4.134)	190	(7.480)	106.2	(4.181)	122.5	(4.823)	17.5	(0.689)	20.5	(0.807)	41.5	(1.634)	48	(1.870)	24.0	(0.945)	130	(5.118)
3.346	0850	110.0	(4.331)	220	(8.661)	111.2	(4.378)	127.5	(5.020)	21.5	(0.846)	20.5	(0.807)	41.5	(1.634)	48	(1.870)	24.0	(0.945)	135	(5.315)
3.543	0900	115.0	(4.528)	220	(8.661)	116.2	(4.575)	132.5	(5.217)	21.5	(0.846)	20.5	(0.807)	41.5	(1.634)	48	(1.870)	24.0	(0.945)	140	(5.512)
3.740	0950	120.0	(4.724)	220	(8.661)	121.2	(4.772)	137.5	(5.413)	21.5	(0.846)	20.5	(0.807)	41.5	(1.634)	48	(1.870)	24.0	(0.945)	145	(5.709)
3.937	1000	125.0	(4.921)	220	(8.661)	126.2	(4.969)	142.5	(5.610)	21.5	(0.846)	20.5	(0.807)	41.5	(1.634)	48	(1.870)	24.0	(0.945)	150	(5.906)
4.133	1050	130.0	(5.118)	240	(9.449)	131.2	(5.165)	162.5	(6.398)	21.5	(0.846)	20.5	(0.807)	43.5	(1.713)	50	(1.949)	30.0	(1.181)	170	(6.693)
4.330	1100	135.0	(5.315)	240	(9.449)	136.2	(5.362)	162.5	(6.398)	21.5	(0.846)	20.5	(0.807)	43.5	(1.713)	50	(1.949)	30.0	(1.181)	170	(6.693)
4.527	1150	140.0	(5.512)	250	(9.843)	141.2	(5.559)	172.5	(6.791)	21.5	(0.846)	20.5	(0.807)	43.5	(1.713)	50	(1.949)	30.0	(1.181)	180	(7.087)
4.724	1200	145.0	(5.709)	250	(9.843)	146.2	(5.756)	172.5	(6.791)	21.5	(0.846)	20.5	(0.807)	43.5	(1.713)	50	(1.949)	30.0	(1.181)	180	(7.087)
4.921	1250	150.0	(5.906)	250	(9.843)	151.2	(5.953)	172.5	(6.791)	21.5	(0.846)	20.5	(0.807)	43.5	(1.713)	50	(1.949)	30.0	(1.181)	180	(7.087)
5.118	1300	155.0	(6.102)	260	(10.236)	156.2	(6.150)	182.5	(7.185)	21.5	(0.846)	20.5	(0.807)	43.5	(1.713)	50	(1.949)	30.0	(1.181)	190	(7.480)