

Orbit/Mono PCP

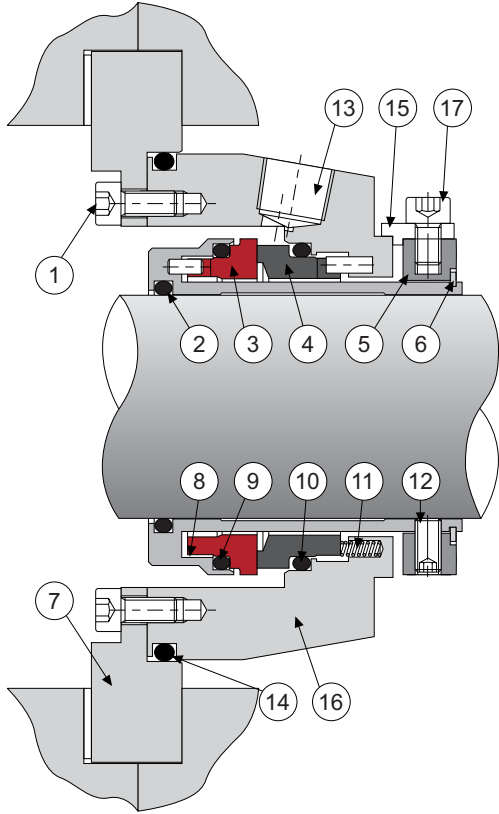


Materials

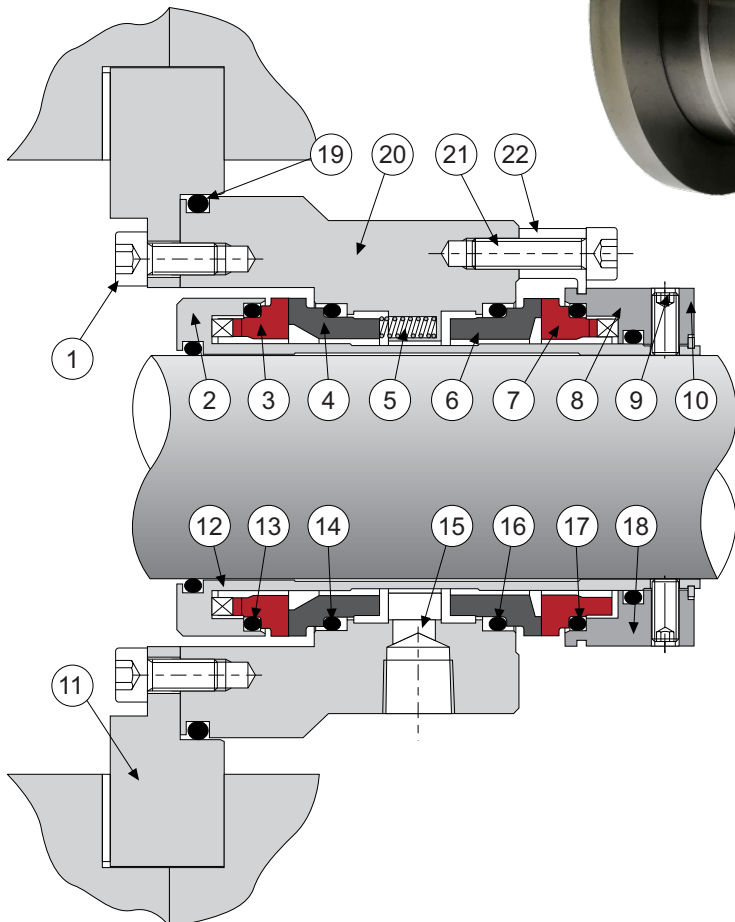
Faces - Car / SiC / SSiC / TC
 Elastomers - NBR / EPDM / Viton / Aflas / Perlast

Working Conditions

Pressure < 28 bar
 Temperature up to 205°C with Viton



1	Flange Cap Screw
2	Sleeve O-ring
3	Rotary Seat
4	Stationary Face
5	Drive Collar
6	Criclip
7	Orbit/Indura Flange
8	Sleeve
9	Rotary Seat O-ring
10	Stationary Face O-ring
11	Springs
12	Drive Grub Screw
13	1/4" NPT Flush Port
14	Flange O-ring
15	Setting Clip
16	Gland
17	Setting Cap Screw



1	Flange Cap Screw
2	Sleeve O-ring
3	Inboard Rotary Seat
4	Inboard Stationary Face
5	Springs
6	Outboard Stationary Face
7	Outboard Rotary Seat
8	Drive Collar
9	Drive Grub Screws
10	Circlip
11	Orbit/Indura Flange
12	Sleeve
13	Inboard Rotary Seat O-ring
14	Inboard Stationary Face O-ring
15	1/4" NPT Barrier I/O
16	Outboard Stationary Face O-ring
17	Outboard Rotary Seat O-ring
18	Drive Collar O-ring
19	Flange O-ring
20	Gland
21	Setting Clip Cap Screws
22	Setting Clips