

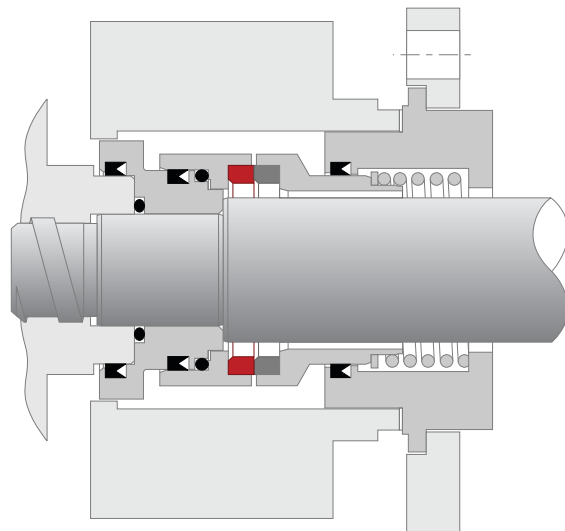
AHLSTAR® APP PUMP SERIES

Common Shaft Sizes: 30mm, 40mm, 50mm, 60mm, 80mm, 90mm



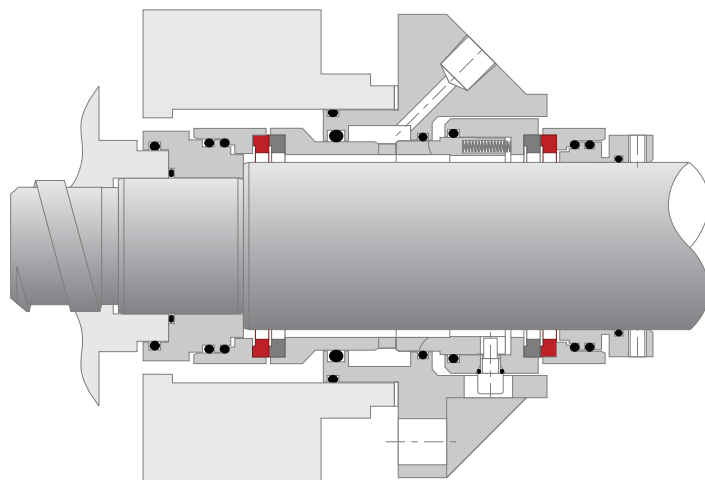
SE1AP

- Single Seal
- Tried and trusted components



SE2AP

- Double Seal
- Tried and trusted components



S2APP

- Double Seal
- Stationary Cartridge Design
- $\pm 2.5\text{mm}$ Axial Movement
- Monolithic Faces
- Double Pressure Balanced
- Narrow Face Design
- Easy To Install

