

# S861

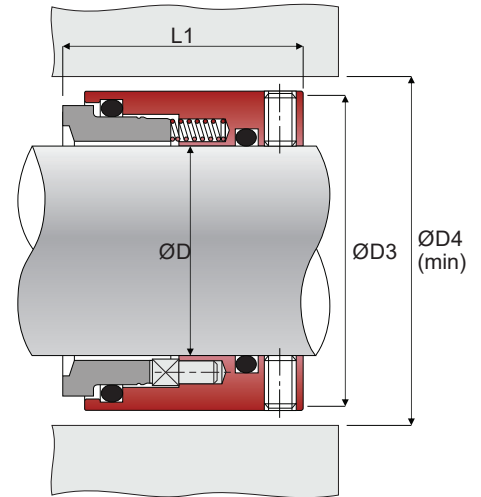


## Materials

Rotary	- Car / SiC / SSiC / TC
Stationary	- SiC / SSiC / TC / Cer
Elastomer	- NBR / EPDM / Viton / FFKM

## Working Conditions

Pressure	< 30 bar
Speed	< 30 m/s
Temperature	up to 205°C



Shaft Size				ØD3		ØD4 (min)		L1	
Imperial		Metric							
Code	ØD Shaft	Code	ØD Shaft	Inch	mm	Inch	mm	Inch	mm
0158	0.625	0160	16	1.181	30	1.339	34	1.252	31.8
-	-	0180	18	-	32	-	34	-	31.8
0191	0.750	0200	20	1.339	34	1.417	36	1.252	31.8
0222	0.875	0220	22	1.417	36	1.496	38	1.252	31.8
-	-	0240	24	-	38	-	40	-	31.8
-	-	0250	25	-	39	-	41	-	31.8
0254	1.000	0280	28	1.654	42	1.732	44	1.272	32.3
0285	1.125	0300	30	1.732	44	1.811	46	1.272	32.3
0317	1.250	0320	32	1.811	46	1.890	48	1.272	32.3
-	-	0330	33	-	47	-	49	-	32.3
0349	1.375	0350	35	1.929	49	2.008	51	1.272	32.3
0381	1.500	-	-	2.047	52	2.205	56	1.311	33.3
-	-	0380	38	-	53	-	56	-	33.3
-	-	0400	40	-	55	-	58	-	33.3
0412	1.625	-	-	2.244	57	2.402	61	1.311	33.3
-	-	0430	43	-	58	-	61	-	33.3
0444	1.750	-	-	2.323	59	2.480	63	1.311	33.3
-	-	0450	45	-	60	-	63	-	33.3
0476	1.875	-	-	2.441	62	2.598	66	1.311	33.3
-	-	0480	48	-	63	-	66	-	33.3
-	-	0500	50	-	66	-	69	-	33.8
0508	2.000	-	-	2.677	68	2.835	72	1.331	33.8
-	-	0530	53	-	69	-	72	-	33.8
0539	2.125	-	-	2.756	70	2.913	74	1.331	33.8
-	-	0550	55	-	71	-	74	-	33.8
-	-	0580	58	-	76	-	80	-	38.8
-	-	0600	60	-	78	-	82	-	38.8
0571	2.250	-	-	3.071	78	3.346	85	1.528	38.8
0603	2.375	0630	63	3.189	81	3.346	85	1.528	38.8
0635	2.500	0650	65	3.268	83	3.425	87	1.528	38.8
0666	2.625	0700	70	3.465	88	3.622	92	1.748	44.4
0698	2.750	-	-	3.465	88	3.622	92	1.748	44.4
0730	2.875	0750	75	3.661	93	3.819	97	1.748	44.4
0762	3.000	-	-	3.661	93	3.819	97	1.720	43.7
0793	3.125	0800	80	4.055	103	4.213	107	1.720	43.7
0826	3.250	0850	85	4.252	108	4.409	112	1.720	43.7
0857	3.375	-	-	4.252	108	4.409	112	1.917	48.7
0889	3.500	0900	90	4.449	113	4.606	117	1.917	48.7
0921	3.625	0950	95	4.646	118	4.803	122	1.917	48.7
0952	3.750	-	-	4.646	118	4.803	122	1.917	48.7
0984	3.875	1000	100	4.843	123	5.000	127	1.917	48.7
1016	4.000	-	-	4.921	125	4.693	119	1.917	48.7