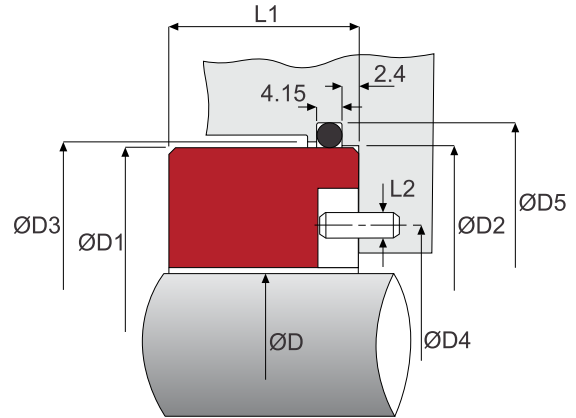


# SSPG



## Materials

Stationary - Cer, Sic, SSic, TC

Elastomer - NBR, EPDM, Viton, PTFE

Metric		ØD1	ØD2	ØD3	ØD4	ØD5	L1	L2
Shaft ØD	Code							
12.7	0127	25.40	25.60	27.40	16.79	31.52	7.92	2
15.8	0158	31.75	31.95	33.75	23.09	37.87	10.31	2
19.1	0191	34.93	35.13	36.93	26.29	41.05	10.31	2
22.2	0222	38.10	38.30	40.10	29.49	44.22	10.31	2
25.4	0254	41.28	41.48	43.28	32.69	47.40	11.10	2
28.6	0286	44.45	44.65	46.45	35.10	50.57	11.10	3
31.7	0317	47.63	47.83	49.63	38.40	53.75	11.10	3
34.9	0349	50.80	51.00	52.80	41.61	56.92	11.10	3
36.5	0365	53.98	54.18	55.98	44.81	60.10	11.10	3
38.1	0381	53.98	54.18	55.98	44.81	60.10	11.10	3
41.2	0412	60.33	60.53	62.33	49.58	66.45	12.70	3
42.8	0428	66.68	66.88	68.68	56.03	72.80	12.70	3
44.4	0444	63.50	63.70	65.50	54.31	69.62	12.70	3
47.6	0476	66.68	66.88	68.68	56.03	72.80	12.70	3
50.8	0508	69.85	70.05	71.85	60.71	75.97	12.70	3
53.9	0539	76.20	76.40	78.20	62.79	82.32	14.27	3
57.1	0571	79.38	79.58	81.38	65.99	85.50	14.27	3
60.3	0603	82.55	82.75	84.55	69.19	88.67	14.27	3
61.9	0619	85.73	85.93	87.73	70.79	91.85	14.27	3
63.5	0635	85.73	85.93	87.73	72.44	91.85	14.27	3
66.6	0666	85.73	85.93	87.73	76.99	91.85	15.88	3
69.8	0698	88.90	89.10	90.90	78.84	95.02	15.88	3
72.0	0720	92.08	92.28	94.08	82.60	98.20	15.88	3
73.0	0730	95.25	95.45	97.25	85.09	101.37	15.88	3
76.2	0762	98.43	98.63	100.43	86.79	104.55	15.88	3
79.3	0793	101.60	101.80	103.60	90.02	107.72	19.84	3
82.5	0825	104.78	104.98	106.78	94.69	110.90	19.84	3
85.7	0857	107.95	108.15	109.95	97.89	114.07	19.84	3
87.3	0873	111.13	111.33	113.13	101.09	117.25	19.84	3
88.9	0889	111.13	111.33	113.13	101.09	117.25	19.84	3
90.4	0904	114.30	114.50	116.30	104.34	120.42	19.84	3
92.1	0921	114.30	114.50	116.30	104.34	120.42	19.84	3
93.6	0936	117.48	117.68	119.48	107.49	123.60	19.84	3
95.2	0952	117.48	117.68	119.48	108.25	123.60	19.84	3
96.8	0968	120.65	120.85	122.65	110.74	126.77	19.84	3
98.4	0984	120.65	120.85	122.65	110.74	126.77	19.84	3
99.9	0999	123.83	124.03	125.83	110.74	129.95	19.84	3
101.6	1016	123.83	124.03	125.83	113.94	129.95	19.84	3
108.0	1080	133.35	133.55	135.35	118.70	139.47	19.84	4
127.0	1270	152.40	152.60	154.40	141.10	158.52	19.84	4