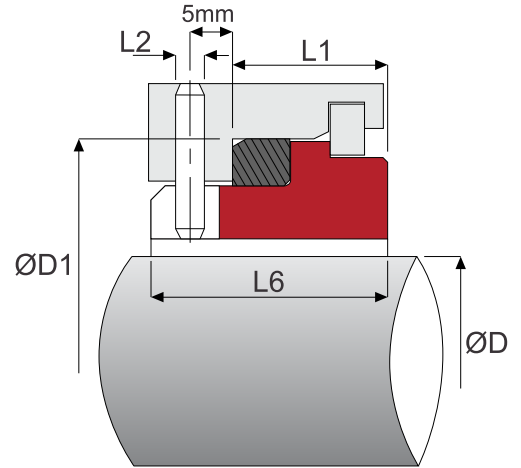


SSBD



Materials

Stationary - Sic, SSic, TC
 Elastomer - PTFE, Graphite

Metric		ØD1	L1	L2	L6
ØD	Code				
20	0200	35	13.5	3	20.5
22	0220	37	13.5	3	20.5
24	0240	39	13.5	3	20.3
25	0250	40	13.0	3	20.0
28	0280	43	12.5	3	19.5
30	0300	45	12.0	3	19.0
32	0320	48	12.0	3	19.0
33	0330	48	12.0	3	19.0
35	0350	50	12.0	3	19.0
38	0380	56	13.0	4	20.0
40	0400	58	13.0	4	20.0
43	0430	61	13.0	4	20.0
45	0450	63	13.0	4	20.0
48	0480	66	13.0	4	20.0
50	0500	70	13.5	4	20.5
53	0530	73	13.5	4	20.5
55	0550	75	13.5	4	20.5
58	0580	78	13.5	4	20.5
60	0600	80	13.5	4	20.5
63	0630	83	13.5	4	20.5
65	0650	85	13.5	4	20.5
68	0680	90	13.5	4	20.5
70	0700	92	14.5	4	21.5
75	0750	97	14.5	4	21.5
80	0800	105	15.0	4	22.0
85	0850	110	15.0	4	22.0
90	0900	115	15.0	4	22.0
95	0950	120	15.0	4	22.0
100	1000	125	15.0	4	22.0