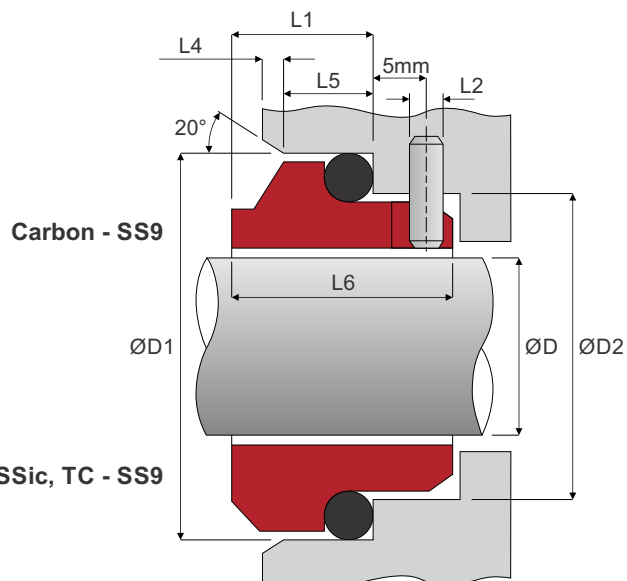


SS9



Materials

Stationary - Car, SiC, SSiC, TC
 Elastomer - NBR, EPDM, Viton, PTFE

Metric		L1	ØD1	ØD2	L2	L3	L4	L5	L6
Code	Shaft ØD								
0100	10	10.0	21.0	17	3	8.5	1.5	4.0	17.5
0120	12	10.0	23.0	19	3	8.5	1.5	4.0	17.5
0140	14	10.0	25.0	21	3	8.5	1.5	4.0	17.5
0160	16	10.0	27.0	23	3	8.5	1.5	4.0	17.5
0180	18	11.5	33.0	27	3	9.0	2.0	5.0	19.5
0200	20	11.5	35.0	29	3	9.0	2.0	5.0	19.5
0220	22	11.5	37.0	31	3	9.0	2.0	5.0	19.5
0240	24	11.5	39.0	33	3	9.0	2.0	5.0	19.5
0250	25	11.5	40.0	34	3	9.0	2.0	5.0	19.5
0280	28	11.5	43.0	37	3	9.0	2.0	5.0	19.5
0300	30	11.5	45.0	39	3	9.0	2.0	5.0	19.5
0320	32	11.5	48.0	42	3	9.0	2.0	5.0	19.5
0330	33	11.5	48.0	42	3	9.0	2.0	5.0	19.5
0350	35	11.5	50.0	44	3	9.0	2.0	5.0	19.5
0380	38	14.0	56.0	49	4	9.0	2.0	5.0	22.0
0400	40	14.0	58.0	51	4	9.0	2.0	5.0	22.0
0430	43	14.0	61.0	54	4	9.0	2.0	6.0	22.0
0450	45	14.0	63.0	56	4	9.0	2.0	6.0	22.0
0480	48	14.0	66.0	59	4	9.0	2.0	6.0	22.0
0500	50	15.0	70.0	62	4	9.0	2.5	6.0	23.0
0530	53	15.0	73.0	65	4	9.0	2.5	6.0	23.0
0550	55	15.0	75.0	67	4	9.0	2.5	6.0	23.0
0580	58	15.0	78.0	70	4	9.0	2.5	6.0	23.0
0600	60	15.0	80.0	72	4	9.0	2.5	6.0	23.0
0630	63	15.0	83.0	75	4	9.0	2.5	6.0	23.0
0650	65	15.0	85.0	77	4	9.0	2.5	6.0	23.0
0680	68	18.0	90.0	81	4	9.0	2.5	6.0	26.0
0700	70	18.0	92.0	83	4	9.0	2.5	6.0	26.0
0750	75	18.0	97.0	88	4	9.0	2.5	7.5	26.0
0800	80	18.2	105.0	95	4	9.0	2.5	7.5	26.2
0850	85	18.2	110.0	100	4	9.0	3	7.5	26.2
0900	90	18.2	115.0	105	4	9.0	3	7.5	26.2
0950	95	17.2	120.0	110	4	9.0	3	7.5	26.2
1000	100	17.2	125.0	115	4	9.0	3	7.5	25.2