

SCS

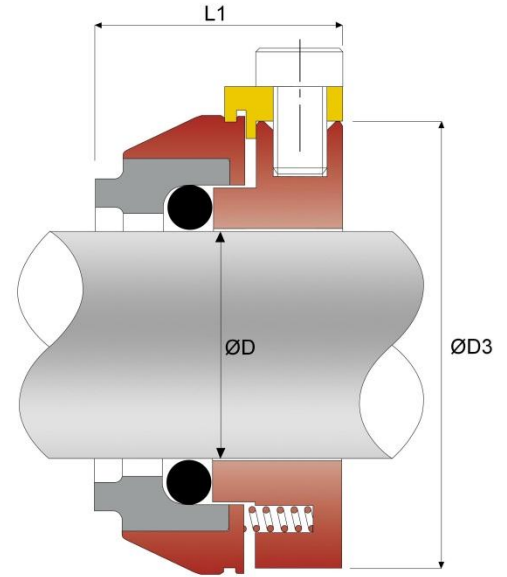


Materials

Rotary - Car, Sic, SSic, TC
 Elastomer - NBR, EPDM, Vit

Working Conditions

Pressure <10 bar
 Speed <10 m/s
 Temperature up to 205°C



Metric		ØD3	L1
Size Code	Shaft ØD		
0200	20	45.3	27.9
0220	22	47.3	27.9
0240	24	49.3	27.9
0250	25	50.3	27.9
0280	28	53.3	27.9
0300	30	55.3	27.9
0320	32	57.3	27.9
0330	33	58.3	27.9
0350	35	60.3	27.9
0380	38	63.3	27.9
0400	40	65.3	27.9
0420	42	67.3	27.9
0430	43	68.3	27.9
0450	45	70.3	27.9
0480	48	73.3	27.9
0500	50	75.3	27.9
0530	53	78.3	27.9
0550	55	80.3	27.9
0600	60	85.3	27.9
0650	65	96.5	30.3
0700	70	101.5	30.3
0750	75	106.5	30.3
0800	80	111.5	30.3
0850	85	116.5	30.3
0900	90	121.5	30.3
0950	95	126.5	30.3
1000	100	131.5	30.3

Imperial		ØD3	L1
Size Code	Shaft ØD		
0159	0.625	41.20	27.9
0191	0.750	44.37	27.9
0222	0.875	47.55	27.9
0254	1.000	50.72	27.9
0285	1.125	53.90	27.9
0317	1.250	57.07	27.9
0349	1.375	60.25	27.9
0381	1.500	63.42	27.9
0412	1.625	66.60	27.9
0444	1.750	69.77	27.9
0476	1.875	72.95	27.9
0508	2.000	76.12	27.9
0539	2.125	79.30	27.9
0571	2.250	82.47	27.9
0603	2.375	85.65	27.9
0635	2.500	88.82	27.9
0666	2.625	98.20	30.3
0698	2.750	101.37	30.3
0730	2.875	104.55	30.3
0762	3.000	107.72	30.3
0794	3.125	110.90	30.3
0826	3.250	114.07	30.3
0857	3.375	117.25	30.3
0889	3.500	120.42	30.3
0921	3.625	123.60	30.3
0953	3.750	126.77	30.3
0984	3.875	129.95	30.3
1016	4.000	133.12	30.3