

S502



Materials

Rotary - Car / SiC / SSiC / TC

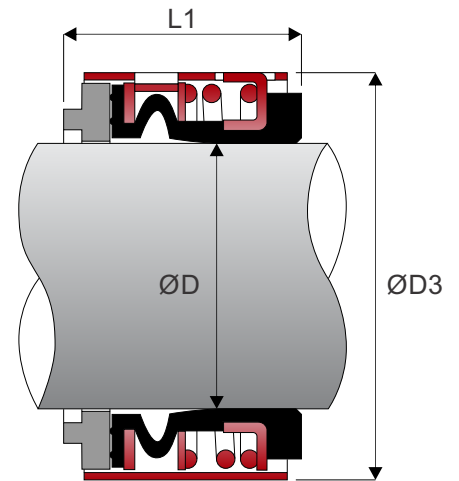
Elastomer - NBR / EPDM / Viton

Working Conditions

Pressure up to 35 bar

Speed < 12 m/s

Temperature up to 150°C



Metric		ØD3	L1
Code	Shaft ØD		
0140	14	24	23.0
0160	16	26	23.0
0180	18	32	24.0
0200	20	34	24.0
0220	22	36	24.0
0240	24	38	26.7
0250	25	39	27.0
0280	28	42	30.0
0300	30	44	30.5
0320	32	46	30.5
0330	33	47	30.5
0350	35	49	30.5
0380	38	54	32.0
0400	40	56	32.0
0430	43	59	32.0
0450	45	61	32.0
0480	48	64	32.0
0500	50	66	34.0
0530	53	69	34.0
0550	55	71	34.0
0580	58	78	39.0
0600	60	80	39.0
0630	63	83	39.0
0650	65	85	39.0
0680	68	88	39.0
0700	70	89	45.5
0750	75	96	45.5
0800	80	104	45.0
0850	85	108	45.0
0900	90	114	50.0
0950	95	118	50.0
1000	100	124	50.0